



THE UNITED KINGDOM VEHICLE APPROVAL AUTHORITY

COMMUNICATION CONCERNING THE APPROVAL GRANTED<sup>(4)</sup>/ APPROVAL EXTENDED<sup>(1)</sup>/  
APPROVAL REFUSED<sup>(4)</sup>/ APPROVAL WITHDRAWN<sup>(4)</sup>/ PRODUCTION DEFINITELY  
DISCONTINUED<sup>(4)</sup> OF A TYPE OF RETRO-REFLECTING DEVICE PURSUANT TO REGULATION  
NO 3.02



Approval No: 03R-020627

Extension No: 04

1. Trade name or mark of the device: Rubbolite
2. Manufacturer's name for the type of device: Model 890 and 891
3. Manufacturer's name and address:  
Truck-Lite Europe Limited  
Barrows Road  
Harlow  
Essex, CM19 5FA  
United Kingdom
4. If applicable, name and address of the manufacturer's representative: Not applicable
5. Submitted for approval on: As before (26 February 2007)
6. Technical service responsible for conducting approval tests: BSI Product Services and Vehicle Certification Agency
7. Date of test report: As before (26 March 2007)
8. Number of test report: As before (247/7010367)



9. Concise description:

In isolation/part of an assembly of devices: <sup>(1)</sup>

Colour of light emitted: white/red/amber

Installation as an integral part of a lamp which is integrated into the body of a vehicle: yes/no <sup>(1)</sup>  
Geometric conditions of installation and relating variations, if any: Not applicable

10. Position of the approval mark: On the lens

11. Reason(s) for extension (if applicable): To cover  
1) Clarification of mounting arrangement  
2) Addition of alternative type name

12. Approval GRANTED/REFUSED/EXTENDED/WITHDRAWN <sup>(1)</sup>

13. Place: BRISTOL

14. Date: 17 OCTOBER 2015

15. Signature:

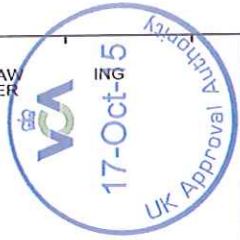


D LAWLOR  
Head of Technical Standards & Legislation

16. The following documents, bearing the approval number shown above, are available on request:

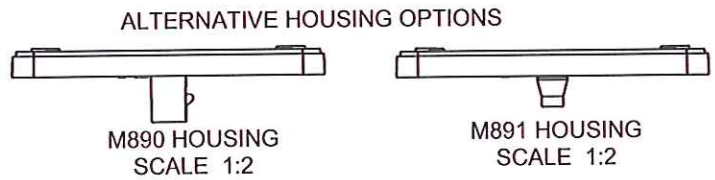
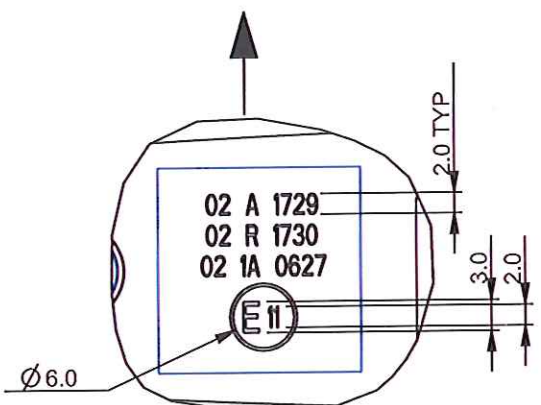
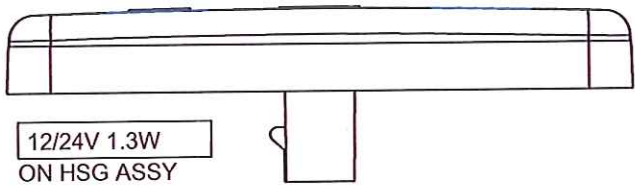
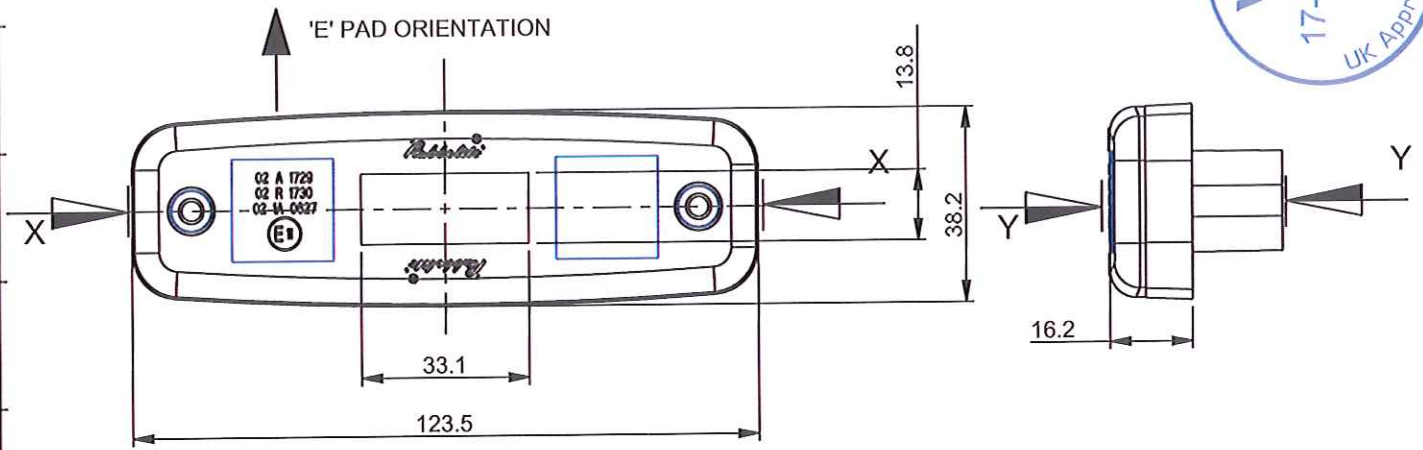
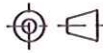
Any remarks: None

(1) Strike out what does not apply.



THIRD ANGLE PROJECTION

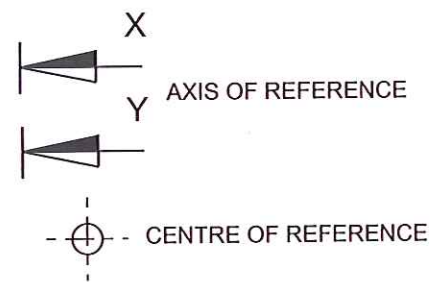
NOTE: ALL MODIFICATIONS TO THIS DRAWING MUST BE CARRIED OUT ON Pro/ENGINEER



**NOTES**  
 APPROVAL TO ECE REG 7-02 CAT A  
 REFLEX REFLECTOR TO ECE REGULATION 3-02 CLASS 1A

**PARTS DESCRIPTION**  
 HOUSING - PLASTIC, COLOUR BLACK  
 LENS COLOUR - CLEAR  
 LIGHT SOURCE - LED, 2 OFF  
 LENS MATERIAL - PC OR PMMA

**TECHNICAL DATA**  
 MOUNTING ORIENTATION  
 X AXIS TO BE PARALLEL OR PERPENDICULAR TO GROUND  
 Y AXIS TO BE PARALLEL TO LONGITUDINAL AXIS OF VEHICLE

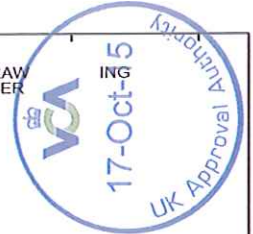


DRAWN A Cakelbread		SCALE 1:1	DESCRIPTION LAMP ASSY, LED,FPS,RFX				SERIES No M 890/891-01 APPROVAL					
CHECKED		ALL DIMENSIONS ARE IN MILLIMETRES AND ARE FOR REFERENCE ONLY	SERIES 890 MODELS 890/X1 & 891/X1				ISSUE No C					
DATE 07-Mar-02			THIS PART MUST CONFORM TO RUBBOLITE TOXIC AND HAZARDOUS MATERIALS CONTROL SPECIFICATION 001; L									
THIS DRAWING IS CONFIDENTIAL TO THE RECIPIENT THIS DRAWING IS THE PROPERTY OF TRUCK-LITE EUROPE LTD AND IT IS NOT TO BE COPIED OR DISCLOSED EITHER IN WHOLE OR IN PART TO ANY OTHER PERSON WITHOUT THE CONSENT IN WRITING OF TRUCK-LITE EUROPE LTD COPYRIGHT© TRUCK-LITE EUROPE LTD HARLOW ESSEX CM19 5FA			ORIGINATOR: B Gascoigne	CHANGE No	0857D	1336D	15099					
				ISSUE No	A	B	C					

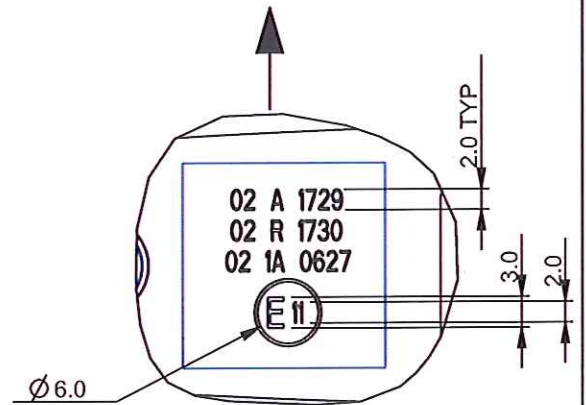
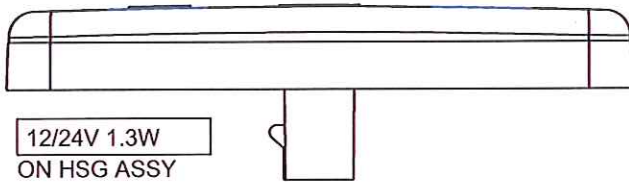
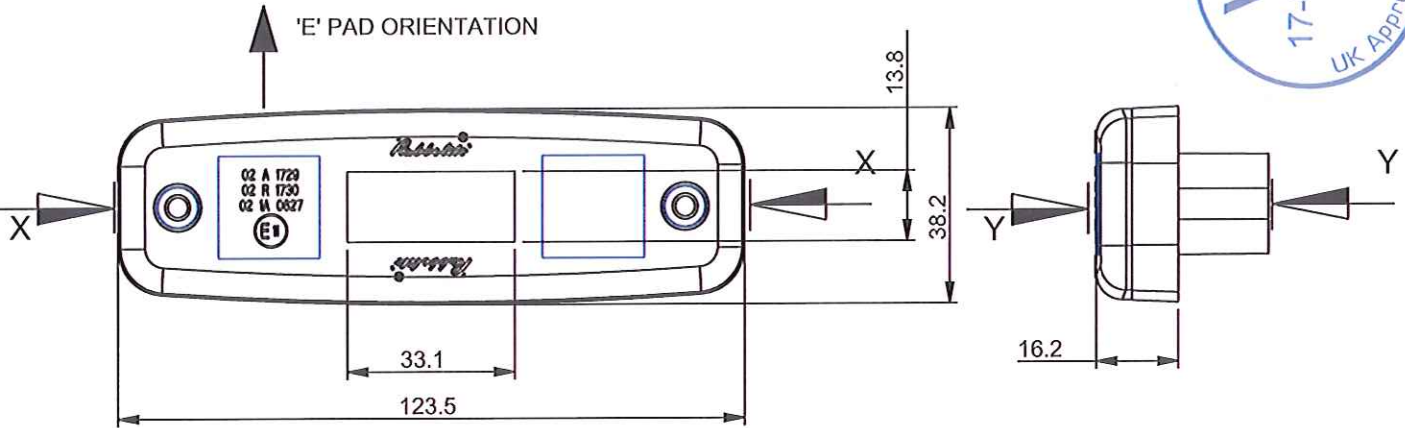
THIRD ANGLE PROJECTION



NOTE: ALL MODIFICATIONS TO THIS DRAWING MUST BE CARRIED OUT ON Pro/ENGINEER

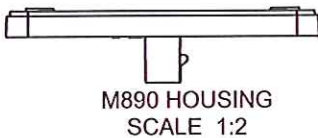


'E' PAD ORIENTATION



DETAIL OF 'E' PAD  
SCALE 2:1

ALTERNATIVE HOUSING OPTIONS



M890 HOUSING  
SCALE 1:2



M891 HOUSING  
SCALE 1:2

NOTES

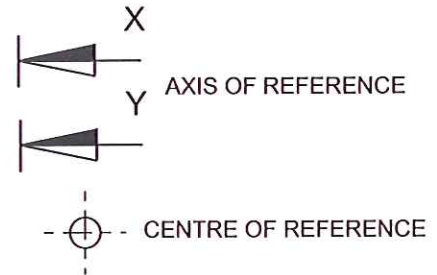
APPROVAL TO ECE REG 7-02 CAT R  
REFLEX REFLECTOR TO ECE REGULATION 3-02 CLASS 1A

PARTS DESCRIPTION

HOUSING - PLASTIC, COLOUR BLACK  
LENS COLOUR - RED  
LIGHT SOURCE - LED, 2 OFF  
LENS MATERIAL - PC OR PMMA

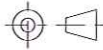
TECHNICAL DATA

MOUNTING ORIENTATION  
X AXIS TO BE PARALLEL OR PERPENDICULAR TO GROUND  
Y AXIS TO BE PARALLEL TO LONGITUDINAL AXIS OF VEHICLE

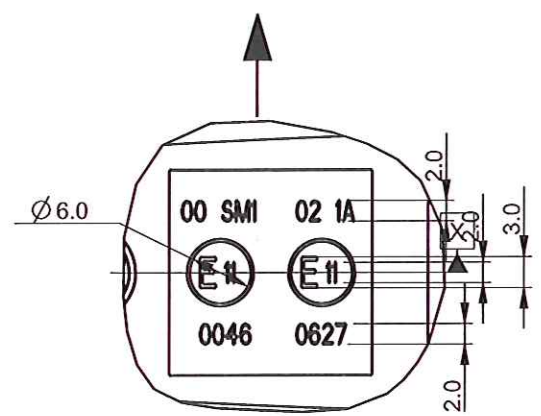
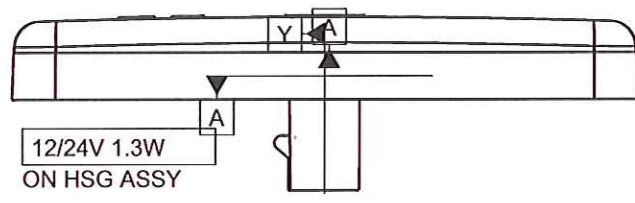
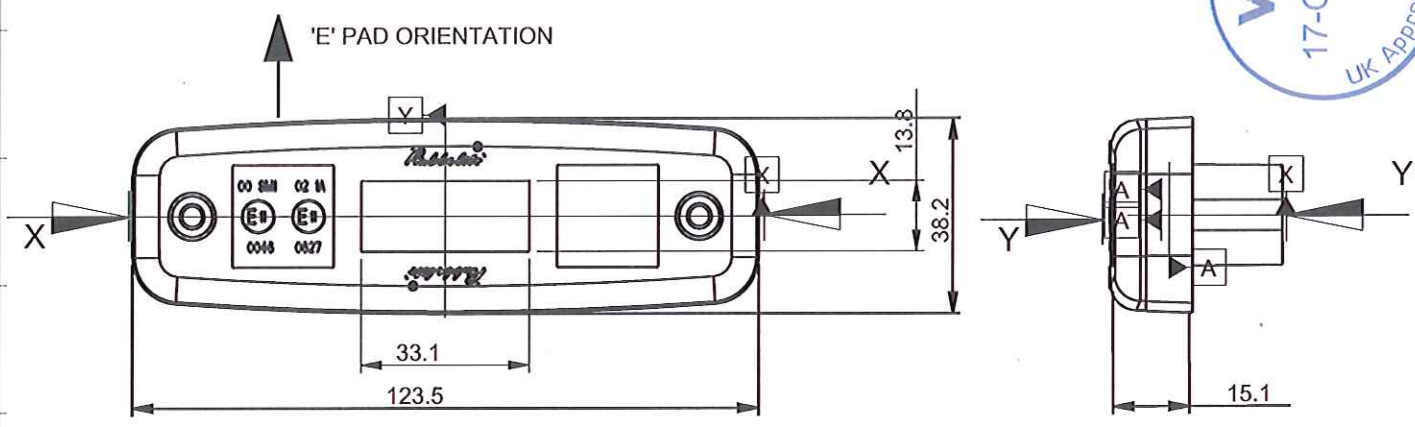


DRAWN A Cakebread	SCALE 1:1	ALL DIMENSIONS ARE IN MILLIMETRES AND ARE FOR REFERENCE ONLY	DESCRIPTION LAMP ASSY, LED, REAR POS SIDE, REFLEX SERIES 890, MODELS 890/X2 & 891/X2	SERIES No M 890/891-02 APPROVAL
CHECKED			THIS PART MUST CONFORM TO RUBBOLITE TOXIC AND HAZARDOUS MATERIALS CONTROL SPECIFICATION 001; L	ISSUE No C
DATE 07-Mar-02			CHANGE No 0857D 1336D 15099	
THIS DRAWING IS CONFIDENTIAL TO THE RECIPIENT. THIS DRAWING IS THE PROPERTY OF TRUCK-LITE EUROPE LTD AND IT IS NOT TO BE COPIED OR DISCLOSED EITHER IN WHOLE OR IN PART TO ANY OTHER PERSON WITHOUT THE CONSENT IN WRITING OF TRUCK-LITE EUROPE LTD.		ORIGINATOR: B Gascoigne	ISSUE No A B C	
COPYRIGHT© TRUCK-LITE EUROPE LTD HARLOW ESSEX CM19 5FA				

THIRD ANGLE PROJECTION

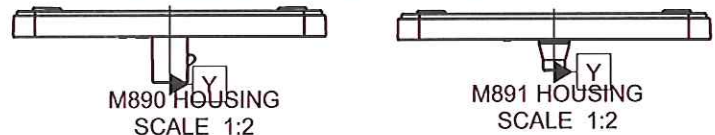


NOTE: ALL MODIFICATIONS TO THIS DRAWING MUST BE CARRIED OUT ON Pro/ENGINEER



DETAIL OF 'E' PAD  
SCALE 2:1

ALTERNATIVE HOUSING OPTIONS



NOTES

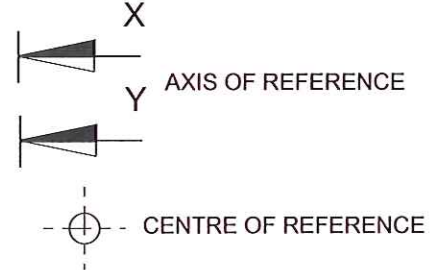
APPROVAL TO ECE REG 91-00 CAT SM1 & EEC 76/758(97/30) CAT SM1  
REFLEX REFLECTOR TO ECE REGULATION 3-02 CAT 1A & EEC 76/757 (97/29)

PARTS DESCRIPTION

HOUSING - PLASTIC, COLOUR BLACK  
LENS COLOUR - AMBER  
LIGHT SOURCE LED - 2 OFF  
LENS MATERIAL PC OR PMMA

TECHNICAL DATA

MOUNTING ORIENTATION  
X AXIS TO BE PARALLEL OR PERPENDICULAR TO GROUND  
Y AXIS TO BE PERPENDICULAR TO LONGITUDINAL AXIS OF VEHICLE



DRAWN A Cakebread	SCALE 1:1	ALL DIMENSIONS ARE IN MILLIMETRES AND ARE FOR REFERENCE ONLY	DESCRIPTION LAMP ASSY, SM/RFX	SERIES No M 890/891-03 APPROVAL
CHECKED			SERIES 890, MODELS 890 & 891	ISSUE No A
DATE 07-Mar-02			THIS PART MUST CONFORM TO RUBBOLITE TOXIC AND HAZARDOUS MATERIALS CONTROL SPECIFICATION 001;	
COPYRIGHT © FLEXIBLE LAMPS LTD. HARLOW ESSEX CM1		9 5FA		
THIS DRAWING IS CONFIDENTIAL TO THE RECIPIENT		ORIGINATOR: B Gascoigne	CHANGE No 0857D	
THIS DRAWING IS THE PROPERTY OF FLEXIBLE LAMPS LIMITED AND IT IS NOT TO BE COPIED OR DISCLOSED EITHER IN WHOLE OR IN PART TO ANY OTHER PERSON WITHOUT THE CONSENT IN WRITING			ISSUE No A	